



SWE135E-3H



◆ Famous brand engine

The engine of internationally famous brand is adopted, and the emission standards of Tier3 and China III are met at the same time; Large power reserve, strong power, reliable and durable; Large market inventory and intensive after-sales service outlets.

◆ Large displacement main pump

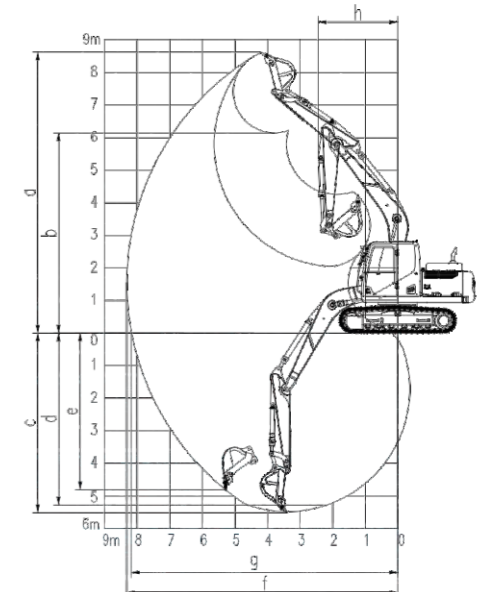
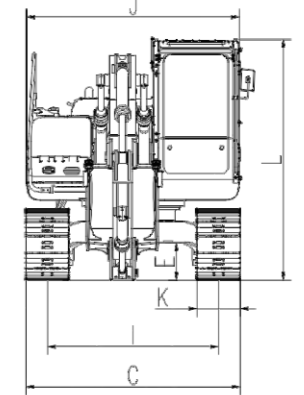
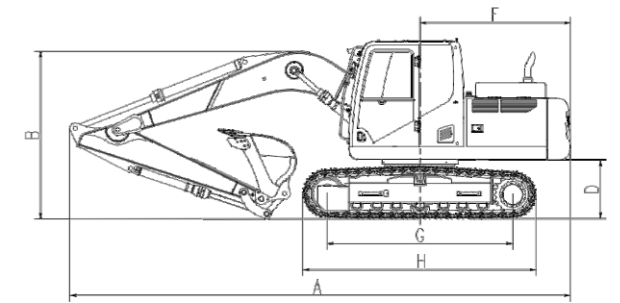
The large displacement main pump of China's first-class brand is adopted. With strong heavy-duty operation capacity, it works more efficiently under medium and light loads Its overall operation efficiency is much better.

◆ Large drift diameter main valve

Large drift diameter main valve with little pressure loss; It has the functions of confluence regeneration and straight line walking. The small cavity of the bucket arm and the large cavity of the swing arm are equipped with holding valves to prevent them from falling.

◆ Wide applicability

It can optionally equipped with dozer blade and crushing hammer, applicable to various working conditions.



ENGINE		UNIT	SWE135E-3H
Working weight		kg	13980
Capacity of bucket		m ³	0.6
Engine	Brand		Cummins
	Type		QSF 3.8
	Rated output power	kW/rpm	86/2200
Dimension parameters	A Transportation length	mm	7840
	B Transportation height	mm	2850
	C Total width	mm	2500
	D Counterweight ground clearance	mm	940
	E Min. ground clearance	mm	410
	F Tail slewing radius	mm	2355
	G Ground contact length of track	mm	2915
	H Track length	mm	3650
	I Track gauge	mm	2000
	J Turntable width	mm	2490
	K Creeper tread width	mm	500
	L Cab height	mm	2850
Scope of work	a Maximum excavation height	mm	8640
	b Maximum dumping height	mm	6145
	c Maximum digging depth	mm	5525
	d Digging depth (2.44 m horizontally)	mm	5320
	e Maximum vertical digging depth	mm	4930
	f Maximum digging distanceground	mm	8330
	g Maximum digging distance on	mm	8185
	h Minimum front slewing radius	mm	2530
Swing arm length		mm	4600
Bucket arm length		mm	2500
Bucket arm digging force		kN	76
Bucket digging force		kN	100
Speed (high/low)		km/h	6.0/3.5
Slewing speed		rpm	11
Fuel tank capacity		L	245
Hydraulic fuel tank capacity		L	150