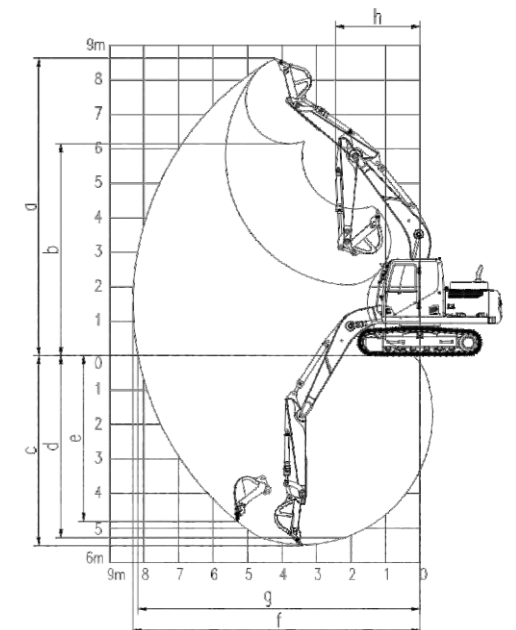
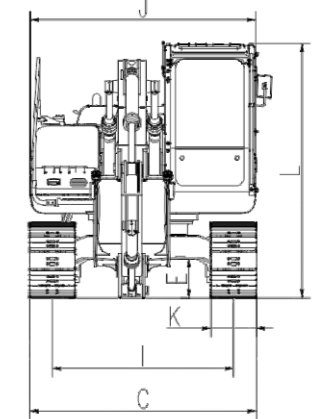
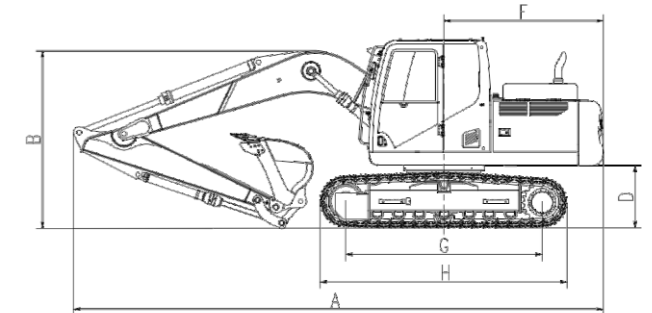




SWE155F



- ◆ **Customized engine**
Excavator engine of internationally famous brand is adopted; It meets EU Stage5 and Tier 4F emission standards at the same time; Large power reserve, strong power, highly reliable and durable.
- ◆ **Convenient maintenance**
It is equipped with grease lubricated sealed track chain, which has long service life and is free from maintenance; 4 large filter elements are centrally arranged for easy maintenance and large maintenance space.
- ◆ **Wider applicability**
It can be optionally equipped with dozer blade and a variety of accessories, with wider applicability.
- ◆ **Mature and reliable imported hydraulic system**
Strong comprehensive operation ability and high efficiency.



ENGINE		UNIT	SWE155F
Working weight		kg	15200
Capacity of bucket		m ³	0.7
Engine	Brand		Cummins
	Type		QSF 3.8
	Rated output power	kW/rpm	90/2200
Dimension parameters	A Transportation length	mm	7840
	B Transportation height	mm	2850
	C Total width	mm	2500
	D Counterweight ground clearance	mm	940
	E Min. ground clearance	mm	410
	F Tail slewing radius	mm	2355
	G Ground contact length of track	mm	2915
	H Track length	mm	3650
	I Track gauge	mm	2000
	J Turntable width	mm	2490
	K Creeper tread width	mm	500
	L Cab height	mm	2850
	Scope of work	a Maximum excavation height	mm
b Maximum dumping height		mm	6145
c Maximum digging depth		mm	5525
d Digging depth (2.44 m horizontally)		mm	5320
e Maximum vertical digging depth		mm	4930
f Maximum digging distanceground		mm	8330
g Maximum digging distance on		mm	8185
h Minimum front slewing radius		mm	2530
Swing arm length		mm	4600
Bucket arm length		mm	2500
Bucket arm digging force		kN	76
Bucket digging force		kN	100
Speed (high/low)		km/h	5.1/3.2
Slewing speed		rpm	11
Fuel tank capacity		L	245
Hydraulic fuel tank capacity		L	150