



SWE210



◆ ELAC self-adaptive control technology

The self-developed ELAC load self-adaptive control technology ensures the optimal power and economic performance of the engine.

◆ Slewing flow self-matching technology

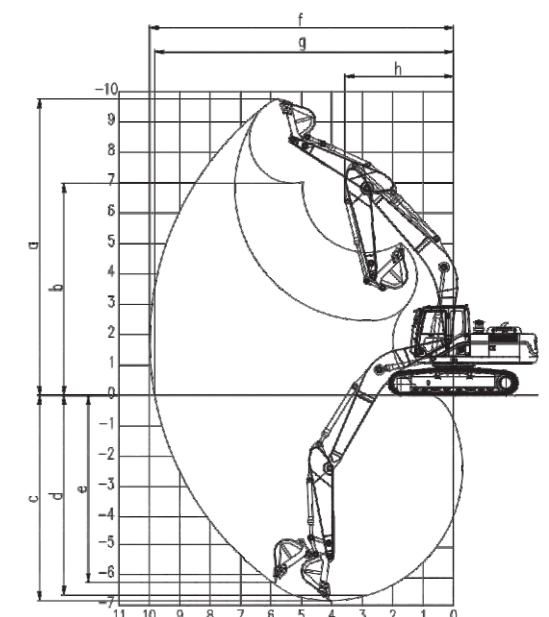
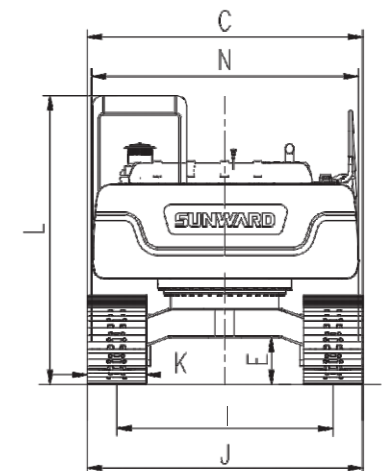
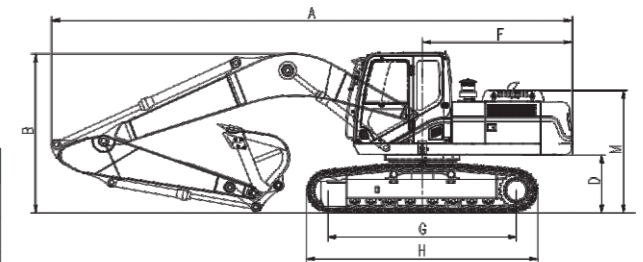
The patented slewing flow self-matching technology reduces the energy loss of slewing.

◆ High altitude adaptability

Below the altitude of 4,000 m, the digging efficiency does not decay under any working conditions.

◆ Double-arc bucket

Loading capacity in every circle is increased by 10%.



ENGINE		UNIT	SWE210
Working weight		kg	21300
Capacity of bucket		m ³	1
Engine	Brand		ISUZU
	Type		6BGITRP-03
	Rated output power	kW/rpm	110/2100
Dimension parameters	A Transportation length	mm	9570
	B Transportation height	mm	2945
	C Total width	mm	2990
	D Counterweight ground clearance	mm	1060
	E Min. ground clearance	mm	470
	F Tail slewing radius	mm	2750
	G Ground contact length of track	mm	3465
	H Track length	mm	4260
	I Track gauge	mm	2200
	J Track width	mm	2990
	K Creeper tread width	mm	600
	L Cab height	mm	2965
	M Hood height	mm	2250
	N Turntable width	mm	2710
Scope of work	a Maximum excavation height	mm	9740
	b Maximum dumping height	mm	6980
	c Maximum digging depth	mm	6690
	d Digging depth (2.44 mhorizontally)	mm	6560
	e Maximum vertical digging depth	mm	6500
	f Maximum digging distance	mm	9950
	g Maximum digging distance on ground	mm	9785
	h Minimum front slewing radius	mm	3560
Swing arm length		mm	5700
Bucket arm length		mm	2920
Bucket arm digging force		kN	110
Bucket digging force		kN	154
Speed (high/low)		km/h	5.0/3.2
Slewing speed		rpm	11.5
Fuel tank capacity		L	370
Hydraulic fuel tank capacity		L	250